

PAPER TERRAIN

DAREK PAGES

[www.darekpages.eu](http://www.darekpages.eu)



[www.darekpages.eu](http://www.darekpages.eu)



[www.twitter.com/DarekPages](https://twitter.com/DarekPages)



[www.facebook.com/paper.terrain.darekpages](https://www.facebook.com/paper.terrain.darekpages)

# CITROËN 2CV

instruction



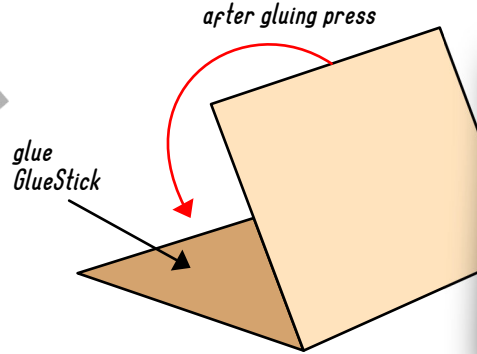
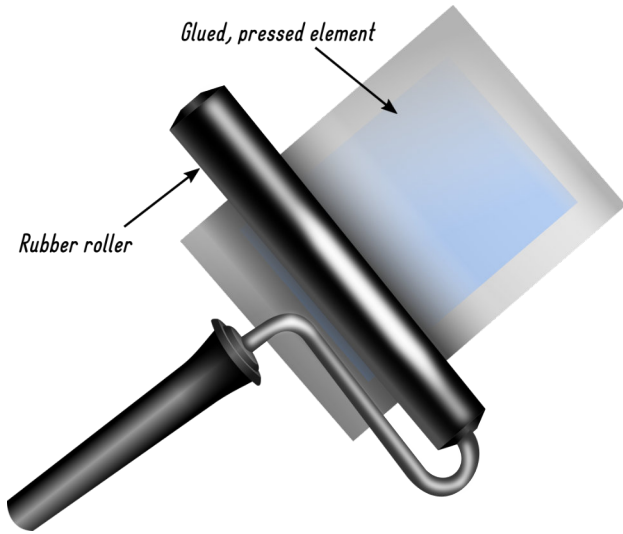
paper model for rpg and tabletop games

All Rights Reserved Copyright © 2024.  
Design, geometry, textures are the property of DarekPages.  
www.darekpages.eu

Model sheets print on format A4 - 170.. 200g/m2 paper or similar. The best effect will be on the Matte Photo paper. Model glueing glue with White Glue or Vicol or similar (for wood). In other elements use Glue Stick, this is stated in the instructions. Large glued flat parts must be pressed, for example with a rubber roller.

Tutorials:

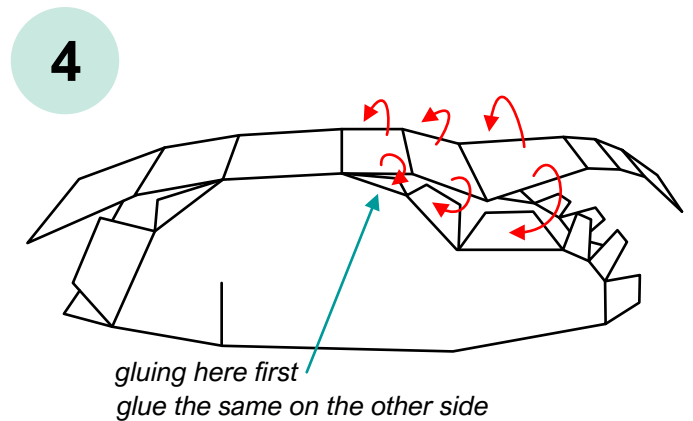
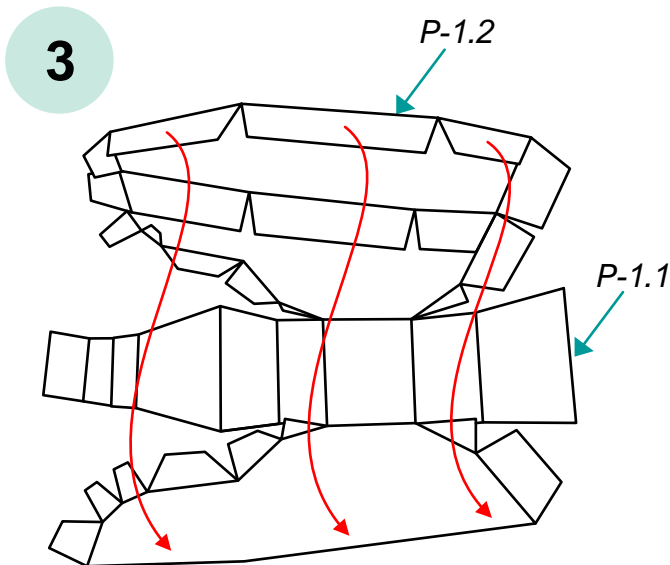
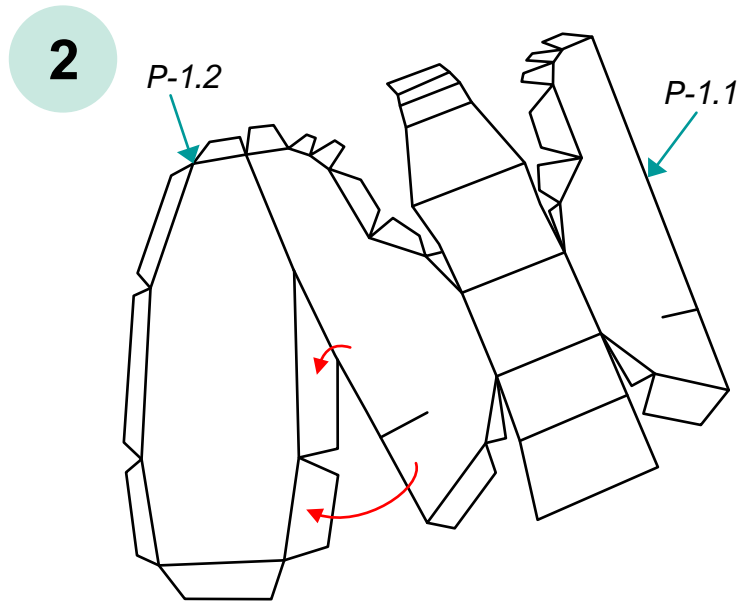
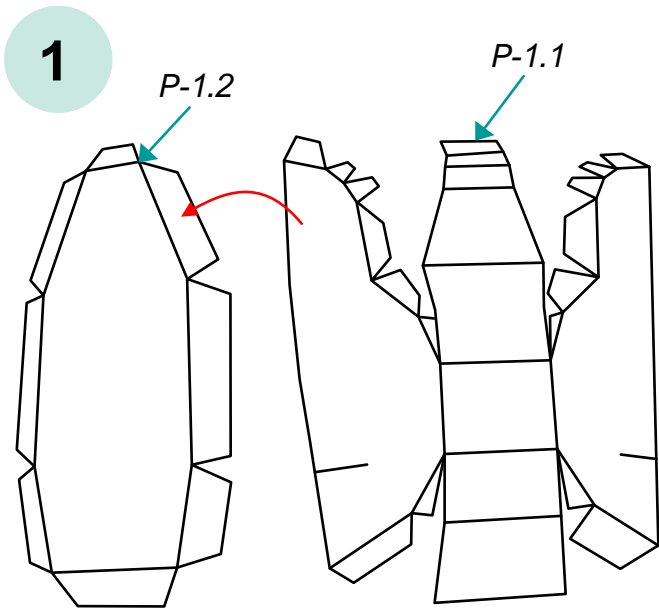
<https://www.darekpages.eu/wszy/index-w-instr.html>

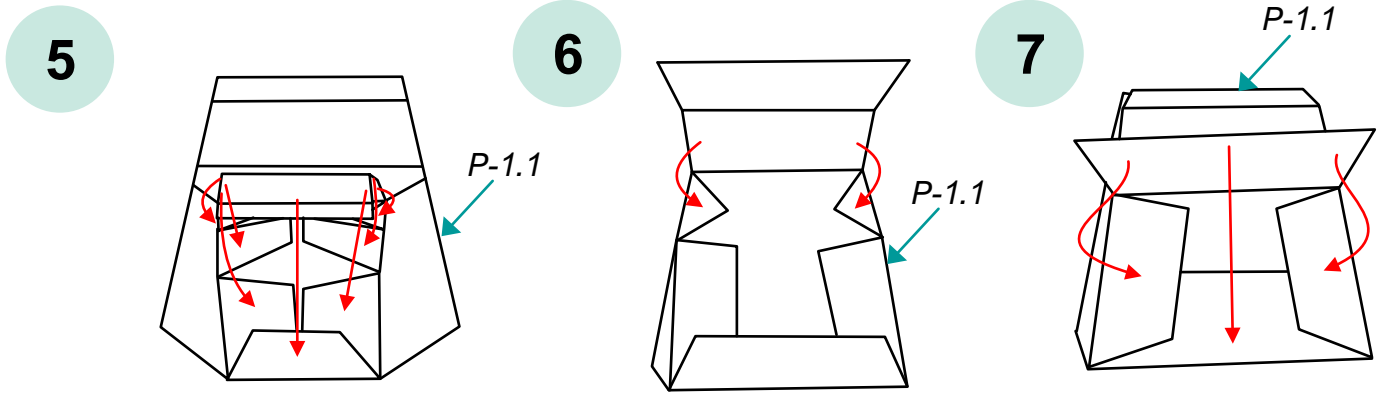


If you need help, you can use my address Facebook Messenger or email.

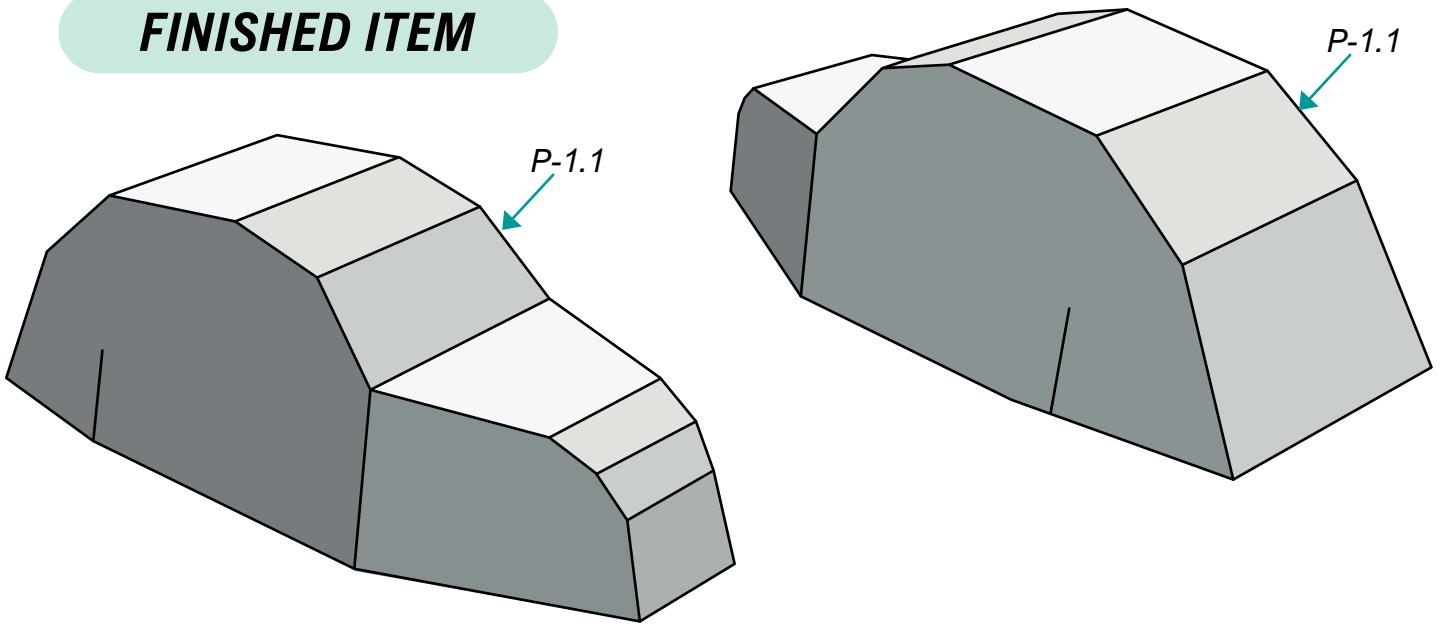


P-1

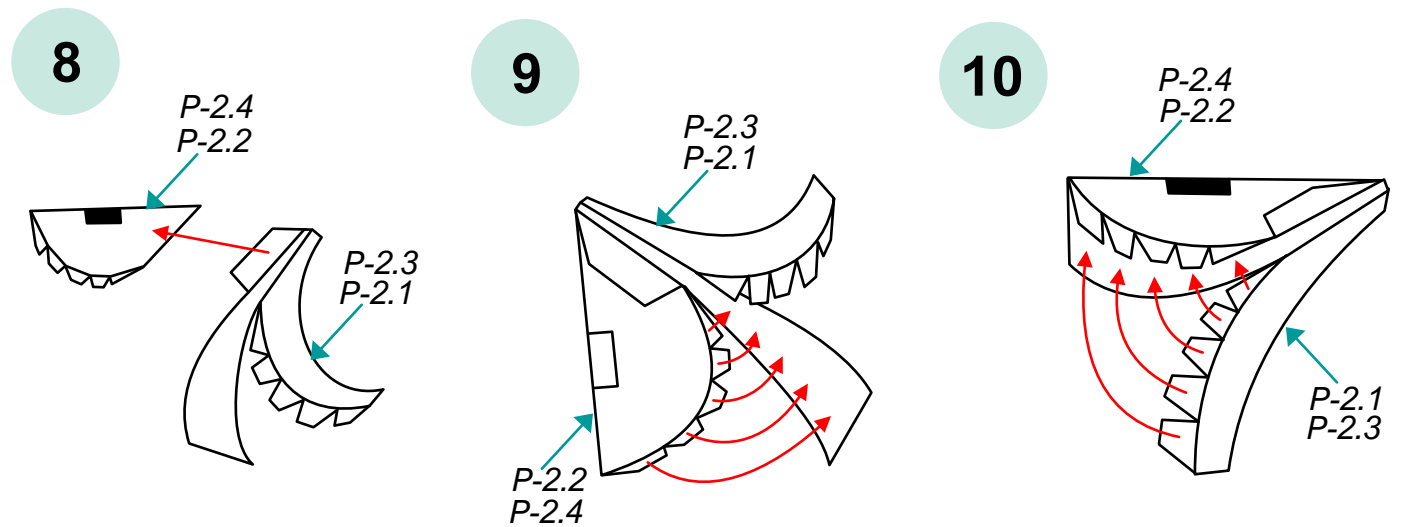




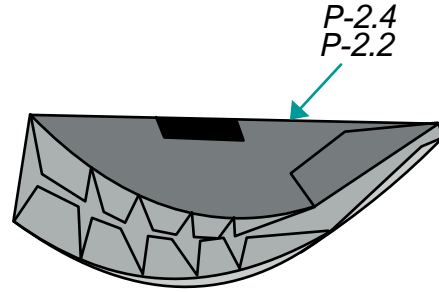
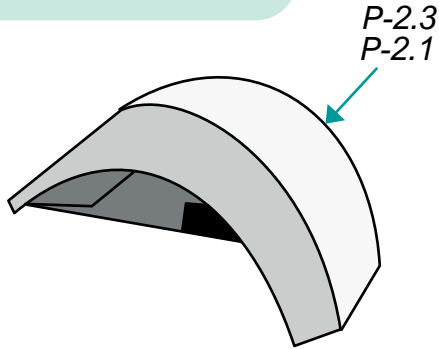
**FINISHED ITEM**



**P-2**

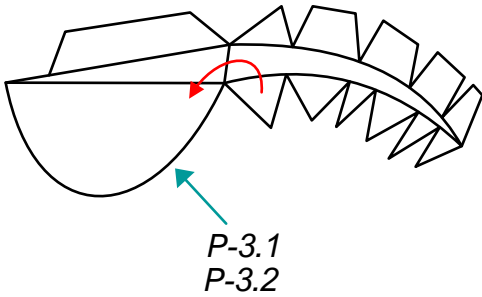


**FINISHED ITEM**

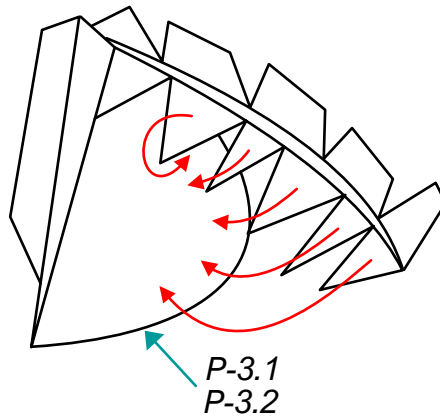


**P-3**

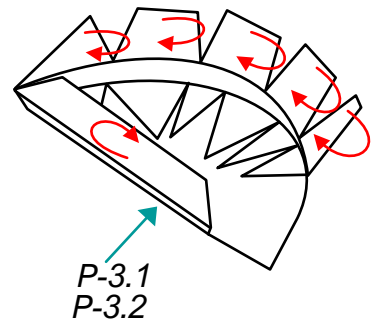
11



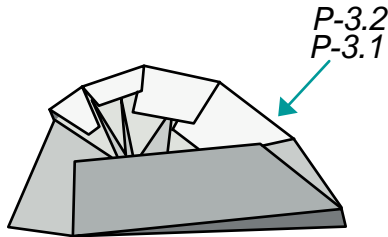
12



13



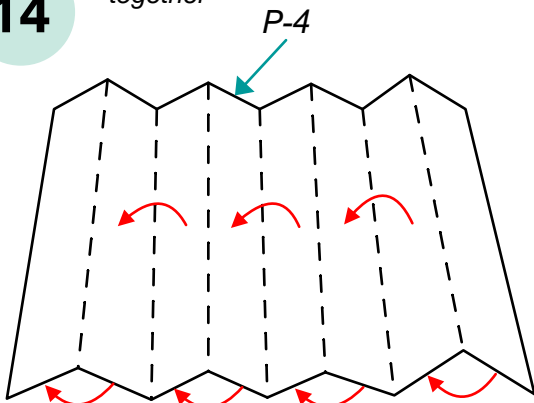
**FINISHED ITEM**



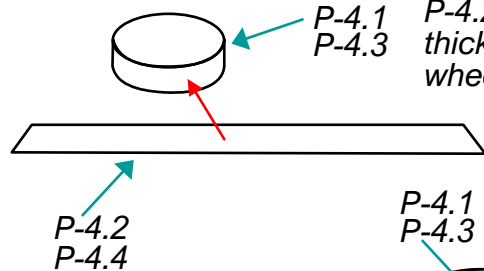
**P-4**

14

Use a Glue Stick to glue this part together

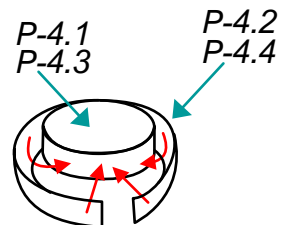


15



Match the veneer P-4.2, P-4.4 to the thickness of the wheel

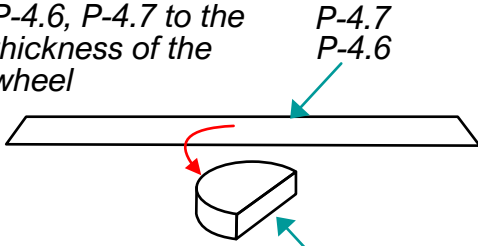
16



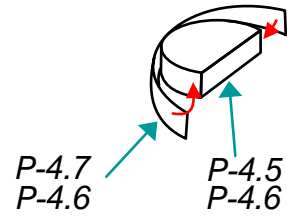
All Rights Reserved Copyright © 2024. Design, geometry, textures are the property of DarekPages. www.darekpages.eu

17

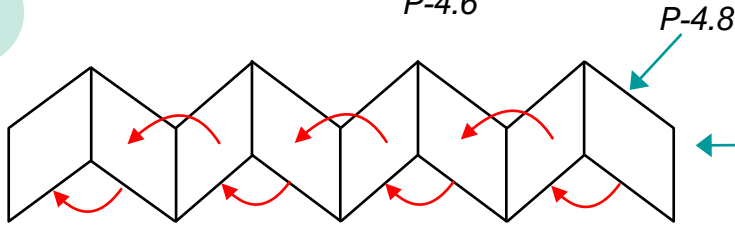
Match the veneer P-4.6, P-4.7 to the thickness of the wheel



18

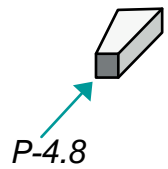
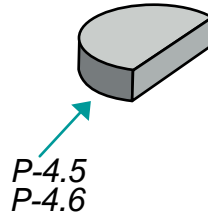
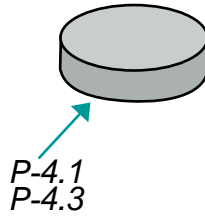


19



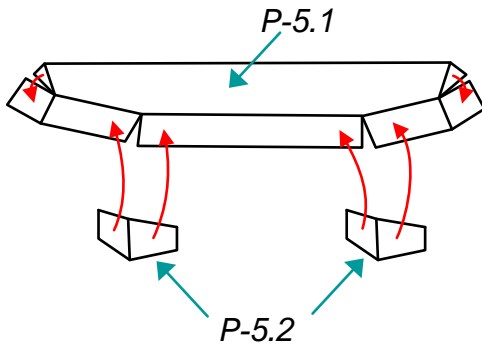
Use a Glue Stick to glue this part together

**FINISHED ITEM**

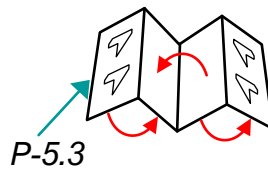


**P-5**

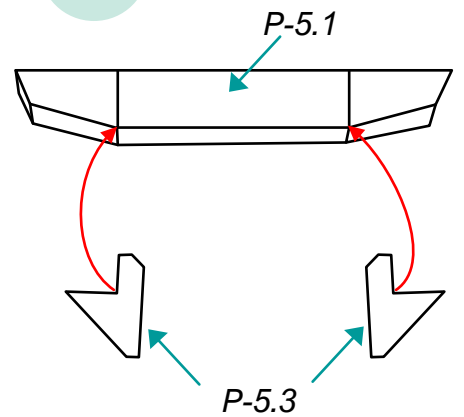
20



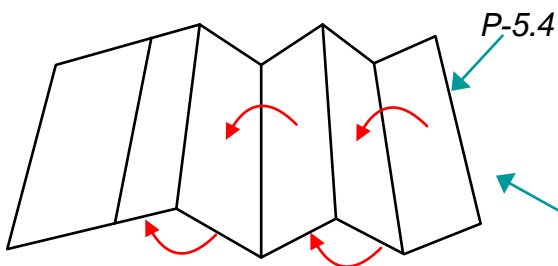
21



22

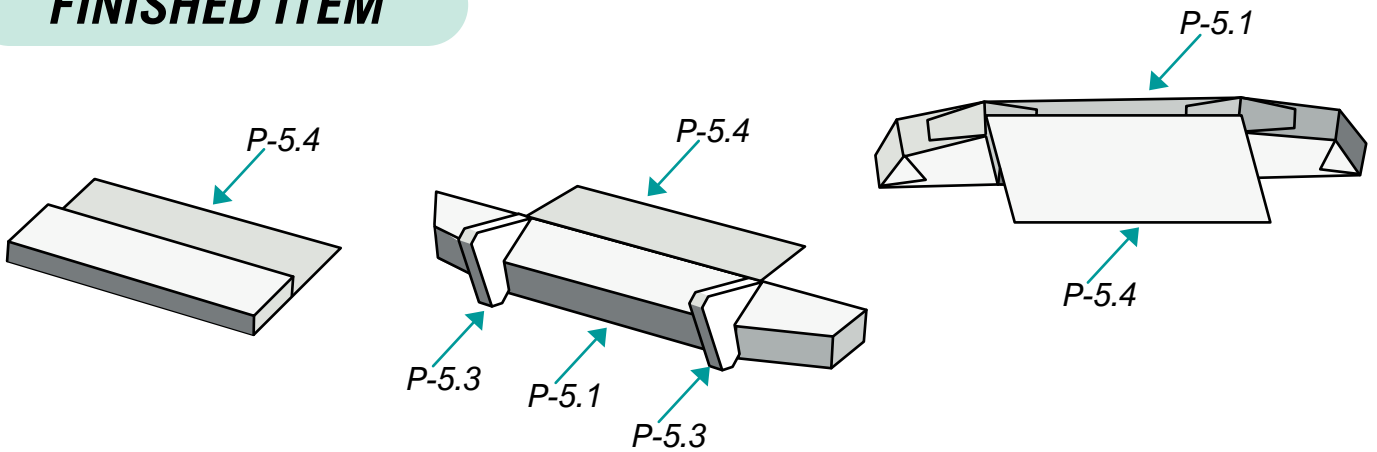


23



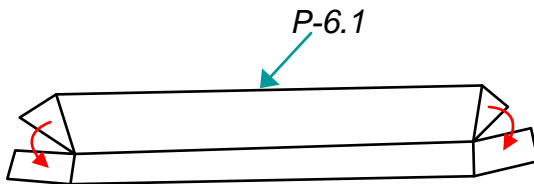
Use a Glue Stick to glue this part together

**FINISHED ITEM**

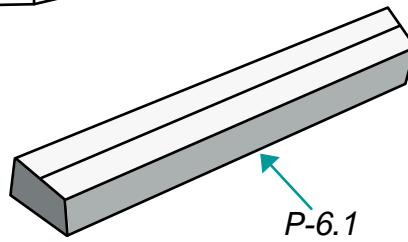


**P-6**

24

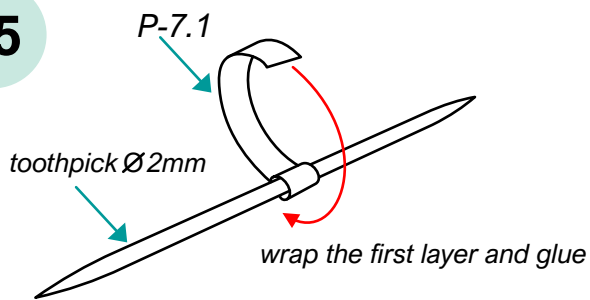


**FINISHED ITEM**

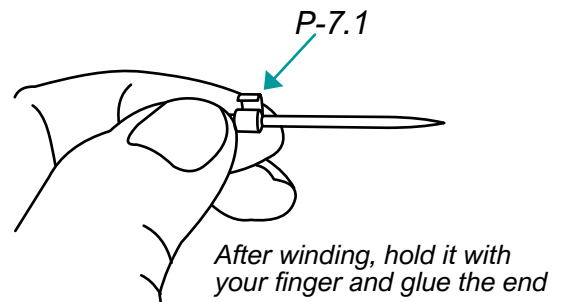


**P-7**

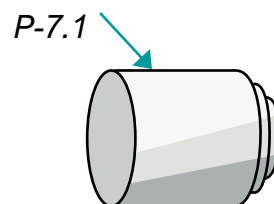
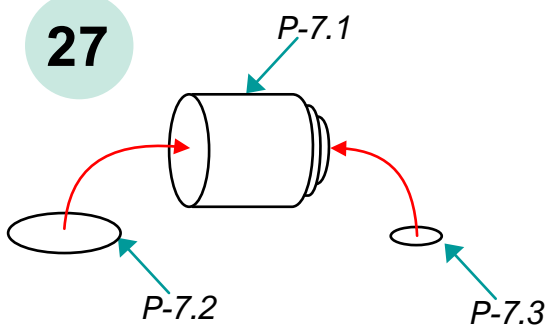
25



26

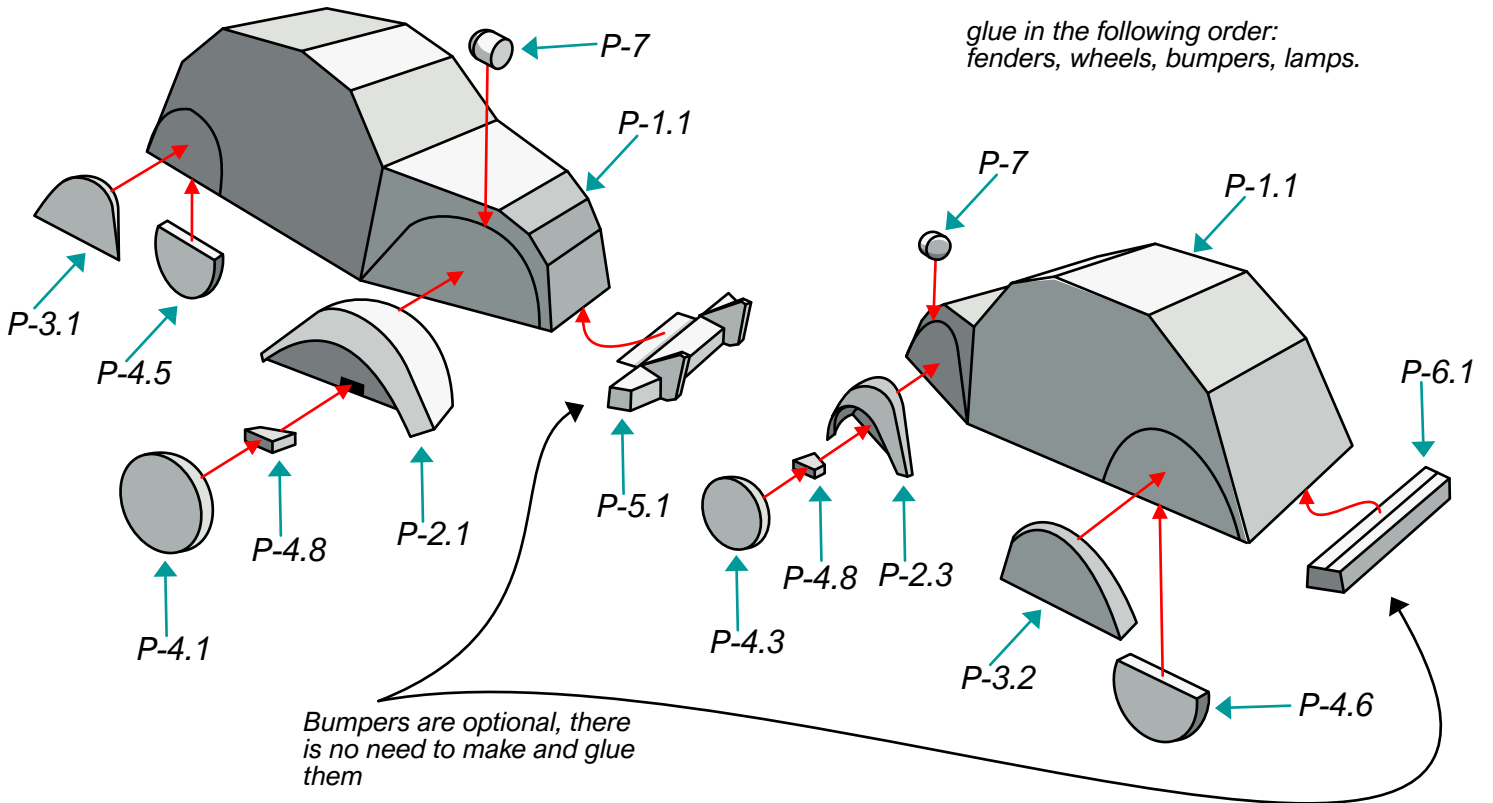


27



**FINISHED ITEM**

ASSEMBLY



If you need help, you can use my address  
Facebook  
Messenger  
or email.




The license plate can be designed according to some real pattern

